

NVXX MATED VIEW

DESIGNED & DIMENSIONED
IN MILLIMETERS [INCHES]

DO NOT
SCALE FROM
THIS PRINT

FIG 1
NVBF-VT MATED WITH NVBM-RA

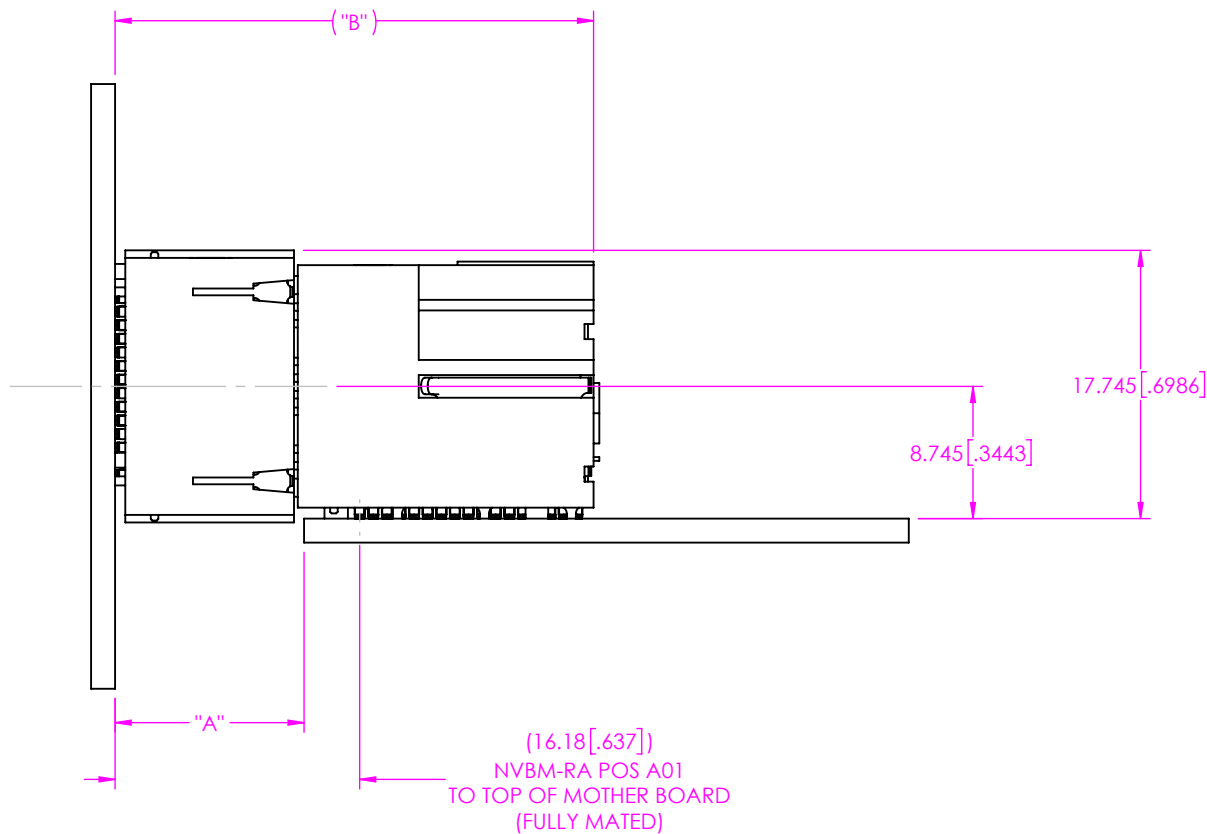


TABLE 1						
	"A" FULLY MATED	"A" MAX	"B" FULLY MATED	"B" MAX	MIN CONTACT WIPE	MAX CONTACT WIPE
NVBF-VT / NVBM-RA	12.50 [0.492]	13.50 [0.531]	32.03 [1.261]	33.03 [1.300]	1.61 [0.063]	2.61 [0.103]

NOTES:

1. ALL DIMENSIONS BASED ON NOMINAL VALUES FOR SAMTEC RECOMMENDED PCB LAYOUTS.
2. ALTHOUGH MAX DIMENSIONS ARE LISTED SAMTEC RECOMMENDS FULLY MATING COMPONENTS.

PROPRIETARY NOTE
THIS DOCUMENT CONTAINS CONFIDENTIAL AND PROPRIETARY INFORMATION AND ALL DESIGN, MANUFACTURING, REPRODUCTION, USE, PATENT RIGHTS AND SALES RIGHTS ARE EXPRESSLY RESERVED BY SAMTEC, INC. THIS DOCUMENT SHALL NOT BE DISCLOSED, IN WHOLE OR PART, TO ANY UNAUTHORIZED PERSON OR ENTITY NOR REPRODUCED, TRANSFERRED OR INCORPORATED IN ANY OTHER PROJECT IN ANY MANNER WITHOUT THE EXPRESS WRITTEN CONSENT OF SAMTEC, INC.



520 PARK EAST BLVD, NEW ALBANY, IN 47150
PHONE: 812-944-6733 FAX: 812-948-5047
e-Mail info@SAMTEC.com code 55322

FIG 2
NVCF-VT LUG MOUNTING STYLE MATED WITH NVBM-RA

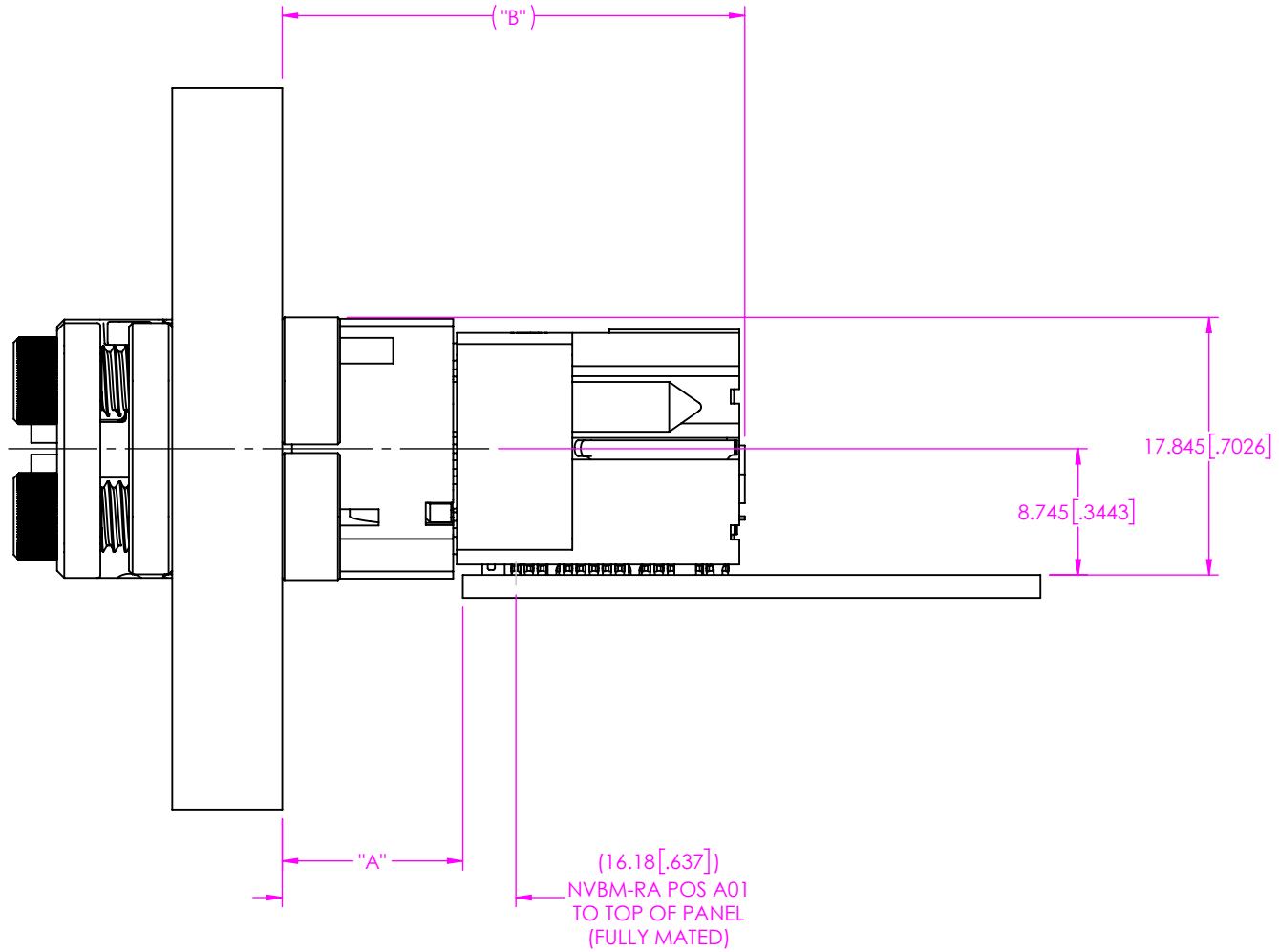


TABLE 2						
	"A" FULLY MATED	"A" MAX	"B" FULLY MATED	"B" MAX	MIN CONTACT WIPE	MAX CONTACT WIPE
NVCF-VT / NVBM-RA	12.50 [0.492]	13.50 [0.531]	32.03 [1.261]	33.03 [1.300]	1.61 [0.063]	2.61 [0.103]

* PROPRIETARY NOTE *
THIS DOCUMENT CONTAINS CONFIDENTIAL AND PROPRIETARY INFORMATION AND ALL DESIGN, MANUFACTURING, REPRODUCTION, USE, PATENT RIGHTS AND SALES RIGHTS ARE EXPRESSLY RESERVED BY SAMTEC, INC. THIS DOCUMENT SHALL NOT BE DISCLOSED, IN WHOLE OR PART, TO ANY UNAUTHORIZED PERSON OR ENTITY NOR REPRODUCED, TRANSFERRED OR INCORPORATED IN ANY OTHER PROJECT IN ANY MANNER WITHOUT THE EXPRESS WRITTEN CONSENT OF SAMTEC, INC.



520 PARK EAST BLVD, NEW ALBANY, IN 47150
PHONE: 812-944-6733 FAX: 812-948-5047
e-Mail info@SAMTEC.com code 55322 SHEET 2 OF 6

FIG 3
NVBF-VT MATED WITH NVCM-RA

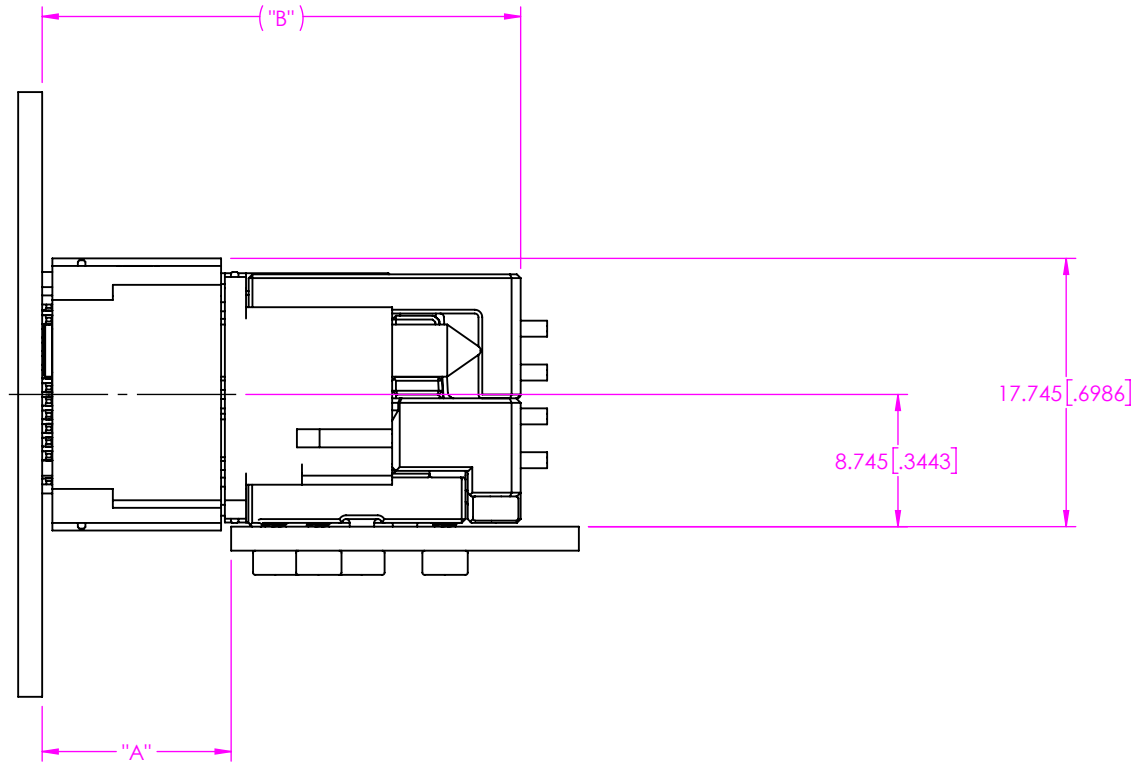


TABLE 3						
	"A" FULLY MATED	"A" MAX	"B" FULLY MATED	"B" MAX	MIN CONTACT WIPE	MAX CONTACT WIPE
NVBF-VT / NVCM-RA	12.50 [0.492]	13.50 [0.531]	31.65 [1.246]	32.65 [1.285]	1.61 [0.063]	2.61 [0.103]

* PROPRIETARY NOTE *
THIS DOCUMENT CONTAINS CONFIDENTIAL AND PROPRIETARY INFORMATION AND ALL DESIGN, MANUFACTURING, REPRODUCTION, USE, PATENT RIGHTS AND SALES RIGHTS ARE EXPRESSLY RESERVED BY SAMTEC, INC. THIS DOCUMENT SHALL NOT BE DISCLOSED, IN WHOLE OR PART, TO ANY UNAUTHORIZED PERSON OR ENTITY NOR REPRODUCED, TRANSFERRED OR INCORPORATED IN ANY OTHER PROJECT IN ANY MANNER WITHOUT THE EXPRESS WRITTEN CONSENT OF SAMTEC, INC.



520 PARK EAST BLVD, NEW ALBANY, IN 47150
PHONE: 812-944-6733 FAX: 812-948-5047
e-Mail info@SAMTEC.com code 55322 SHEET 3 OF 6

FIG 4
 NVCF-VT LUG MOUNTING STYLE MATED WITH NVCM-RA

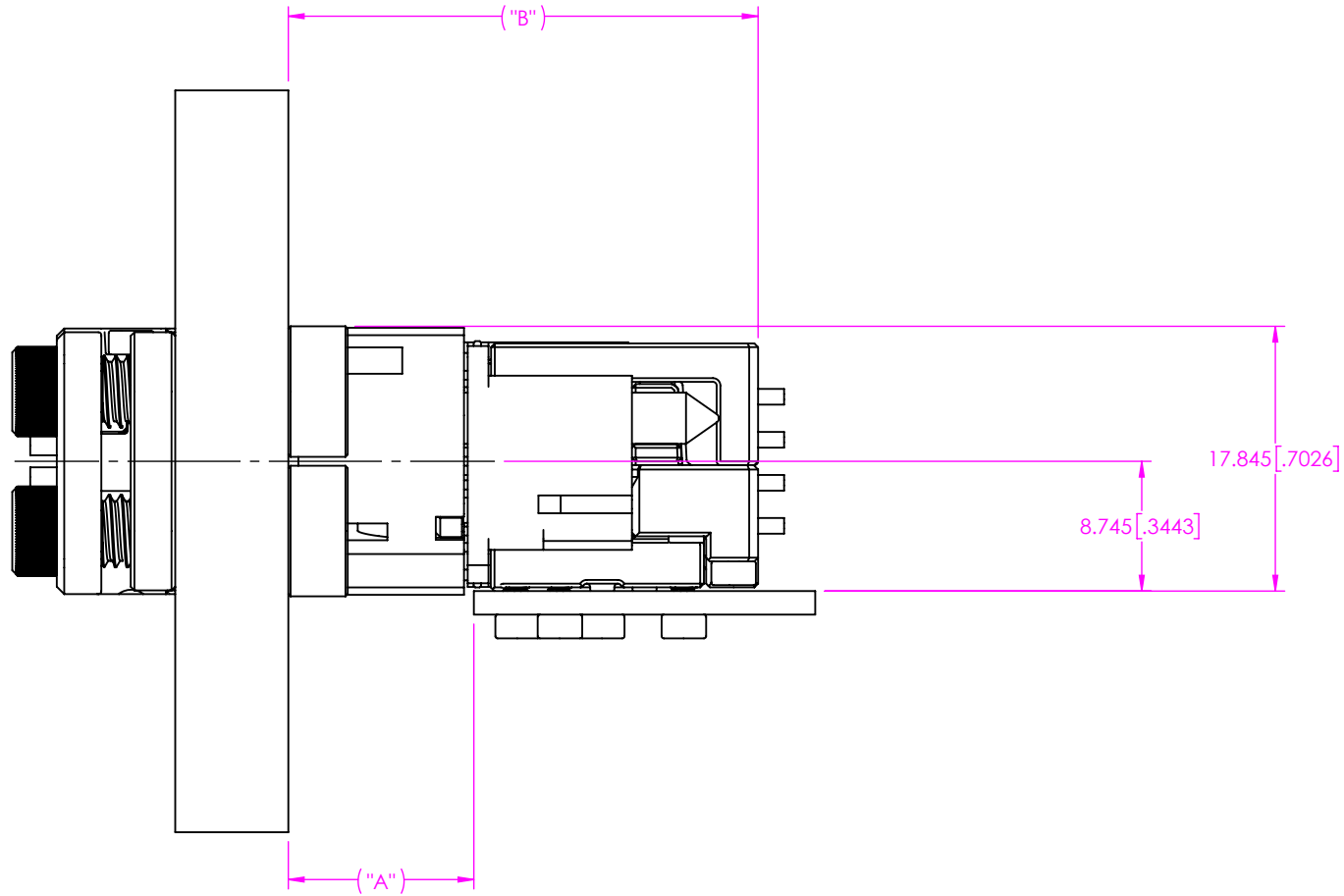


TABLE 4						
	"A" FULLY MATED	"A" MAX	"B" FULLY MATED	"B" MAX	MIN CONTACT WIPE	MAX CONTACT WIPE
NVCF-VT / NVCM-RA	12.50 [0.492]	13.50 [0.531]	31.65 [1.246]	32.65 [1.285]	1.61 [0.063]	2.61 [0.103]

* PROPRIETARY NOTE *
 THIS DOCUMENT CONTAINS CONFIDENTIAL AND PROPRIETARY INFORMATION AND ALL DESIGN, MANUFACTURING, REPRODUCTION, USE, PATENT RIGHTS AND SALES RIGHTS ARE EXPRESSLY RESERVED BY SAMTEC, INC. THIS DOCUMENT SHALL NOT BE DISCLOSED, IN WHOLE OR PART, TO ANY UNAUTHORIZED PERSON OR ENTITY NOR REPRODUCED, TRANSFERRED OR INCORPORATED IN ANY OTHER PROJECT IN ANY MANNER WITHOUT THE EXPRESS WRITTEN CONSENT OF SAMTEC, INC.



520 PARK EAST BLVD, NEW ALBANY, IN 47150
 PHONE: 812-944-6733 FAX: 812-948-5047
 e-Mail info@SAMTEC.com code 55322 SHEET 4 OF 6

FIG 5
 NVCF-VT NO LUG MOUNTING STYLE MATED WITH NVBM-RA
 (NVCF-VT IS SHOWN MOUNTED IN AN EXAMPLE FIXTURE)

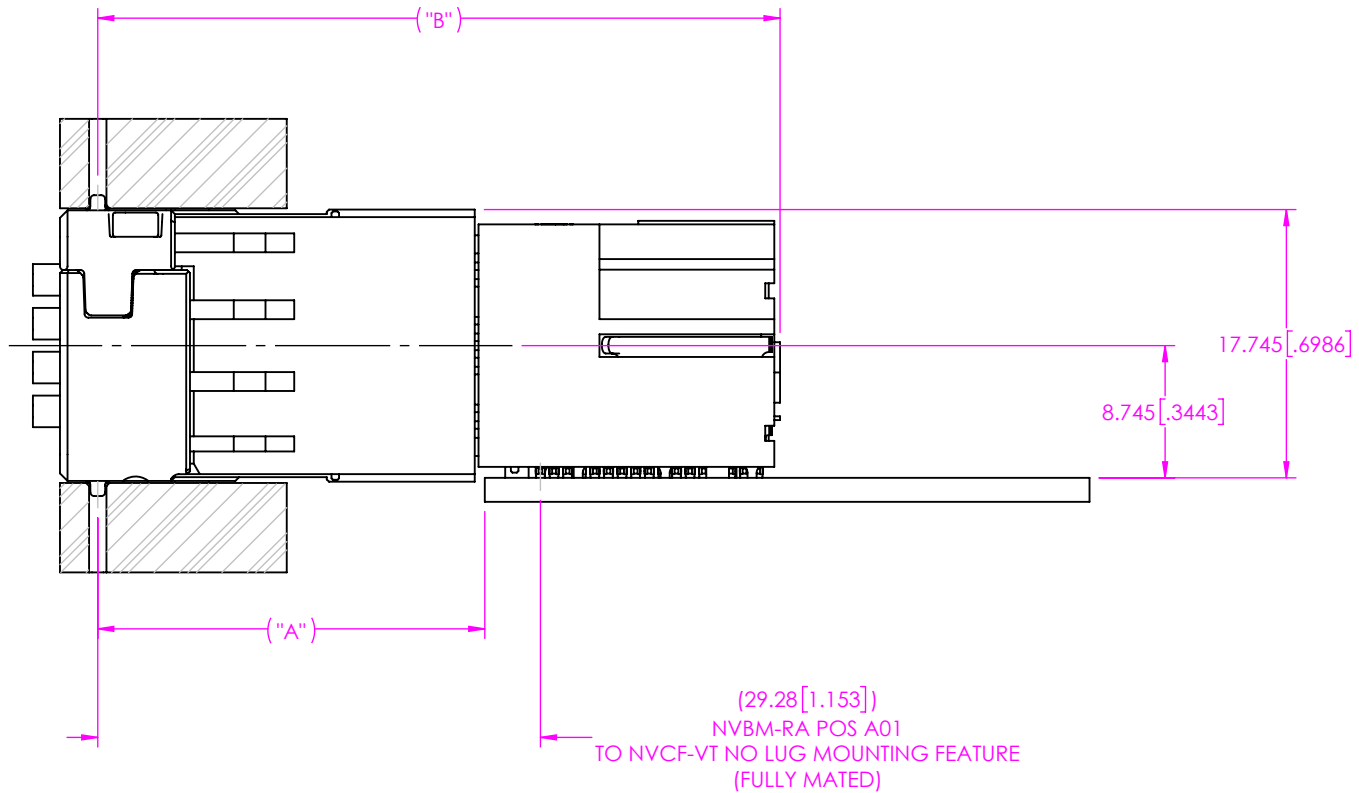


TABLE 2						
	"A" FULLY MATED	"A" MAX	"B" FULLY MATED	"B" MAX	MIN CONTACT WIPE	MAX CONTACT WIPE
NVCF-VT / NVBM-RA	25.60 [1.008]	26.60 [1.047]	45.13 [1.777]	46.13 [1.816]	1.61 [0.063]	2.61 [0.103]

* PROPRIETARY NOTE *
 THIS DOCUMENT CONTAINS CONFIDENTIAL AND PROPRIETARY INFORMATION AND ALL DESIGN, MANUFACTURING, REPRODUCTION, USE, PATENT RIGHTS AND SALES RIGHTS ARE EXPRESSLY RESERVED BY SAMTEC, INC. THIS DOCUMENT SHALL NOT BE DISCLOSED, IN WHOLE OR PART, TO ANY UNAUTHORIZED PERSON OR ENTITY NOR REPRODUCED, TRANSFERRED OR INCORPORATED IN ANY OTHER PROJECT IN ANY MANNER WITHOUT THE EXPRESS WRITTEN CONSENT OF SAMTEC, INC.



520 PARK EAST BLVD, NEW ALBANY, IN 47150
 PHONE: 812-944-6733 FAX: 812-948-5047
 e-Mail info@SAMTEC.com code 55322 SHEET 5 OF 6

FIG 6
 NVCF-VT NO LUG MOUNTING STYLE MATED WITH NVCM-RA
 (NVCF-VT IS SHOWN MOUNTED IN AN EXAMPLE FIXTURE)

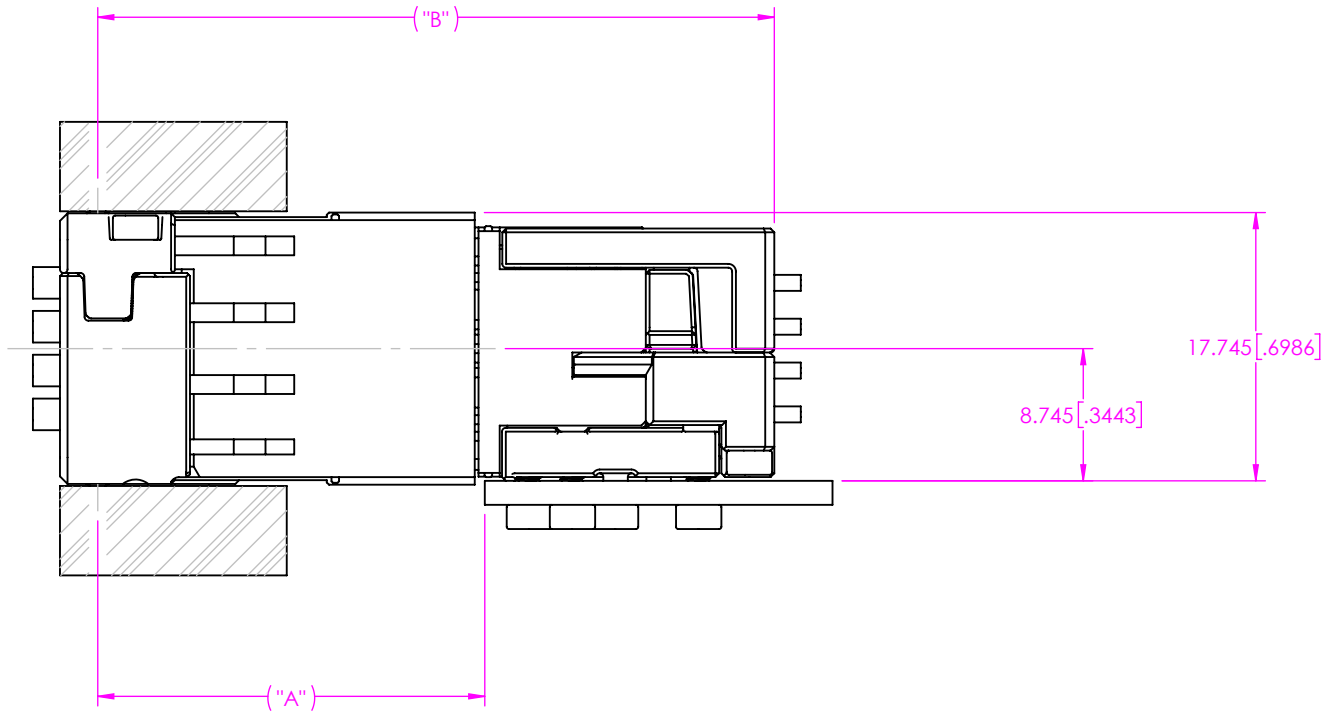


TABLE 2						
	"A" FULLY MATED	"A" MAX	"B" FULLY MATED	"B" MAX	MIN CONTACT WIPE	MAX CONTACT WIPE
NVCF-VT / NVCM-RA	25.60 [1.008]	26.60 [1.047]	44.75 [1.762]	45.75 [1.801]	1.61 [0.063]	2.61 [0.103]

* PROPRIETARY NOTE *
 THIS DOCUMENT CONTAINS CONFIDENTIAL AND PROPRIETARY INFORMATION AND ALL DESIGN, MANUFACTURING, REPRODUCTION, USE, PATENT RIGHTS AND SALES RIGHTS ARE EXPRESSLY RESERVED BY SAMTEC, INC. THIS DOCUMENT SHALL NOT BE DISCLOSED, IN WHOLE OR PART, TO ANY UNAUTHORIZED PERSON OR ENTITY NOR REPRODUCED, TRANSFERRED OR INCORPORATED IN ANY OTHER PROJECT IN ANY MANNER WITHOUT THE EXPRESS WRITTEN CONSENT OF SAMTEC, INC.



520 PARK EAST BLVD, NEW ALBANY, IN 47150
 PHONE: 812-944-6733 FAX: 812-948-5047
 e-Mail info@SAMTEC.com code 55322 SHEET 6 OF 6